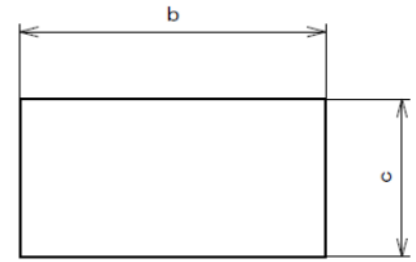
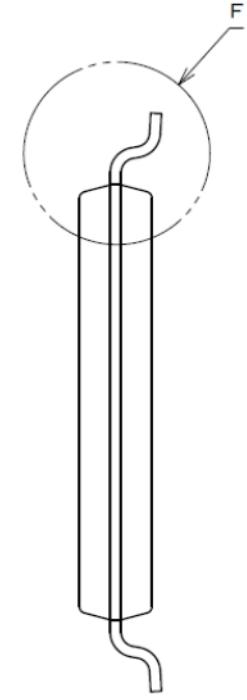
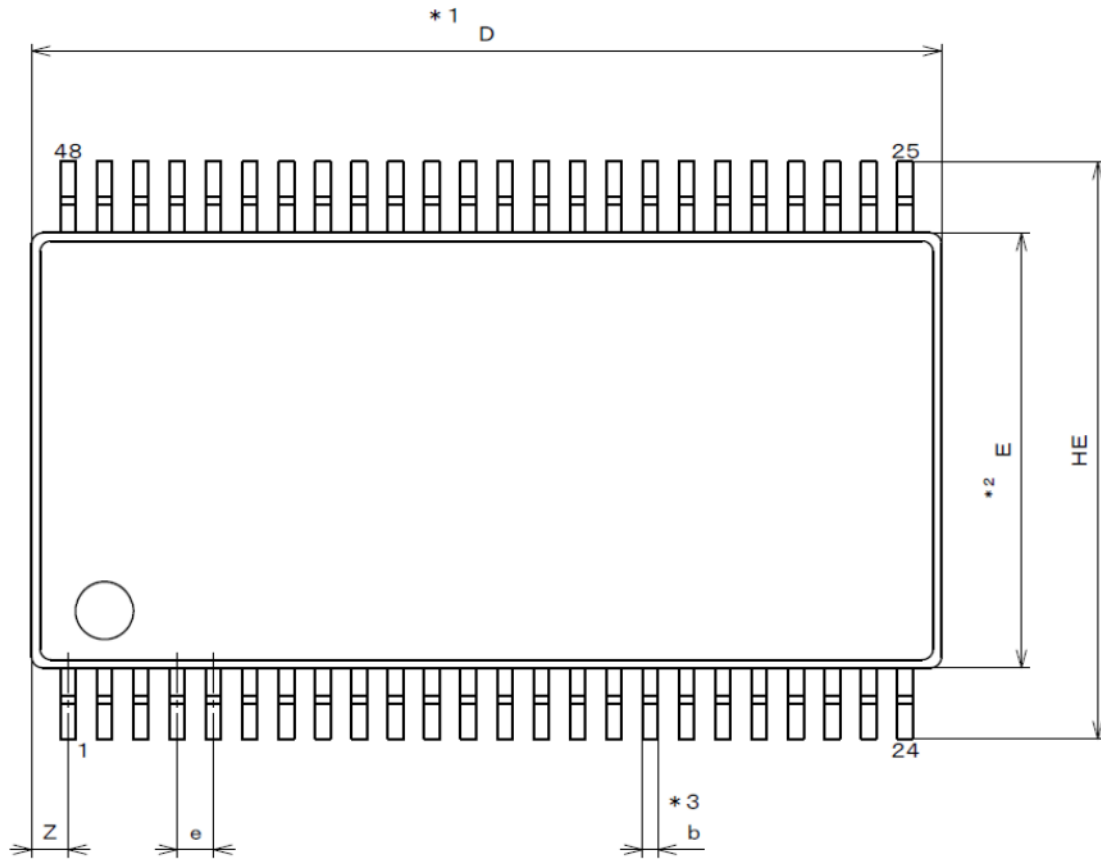


PKG TYPE

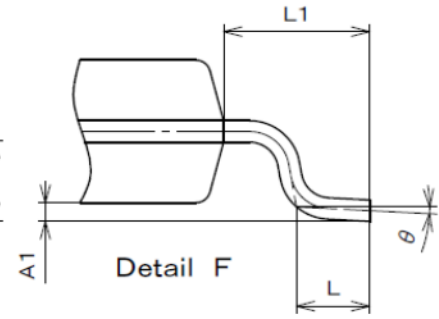
TSSOP48



Terminal cross section
(Ni/Pd/Au plating)

NOTE)

1. DIMENSIONS *1 (Nom) AND *2 DO NOT INCLUDE MOLD FLASH
2. DIMENSION *3 DO NOT INCLUDE TRIM OFFSET



Reference Symbol	Dimension in Millimeters		
	Min	Non	Max
D	—	12.5	—
E	—	6.1	—
A2	0.95	1	1.05
A1	0.08	0.13	0.18
A	—	—	1.2
b	0.16	0.21	0.25
c	0.12	0.17	0.22
θ	0°	—	8°
HE	—	8.1	—
e	—	0.5	—
Z	—	0.5	—
L	—	0.5	—
L1	—	1	—