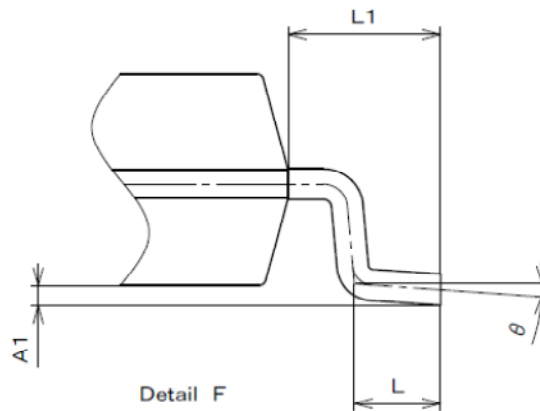
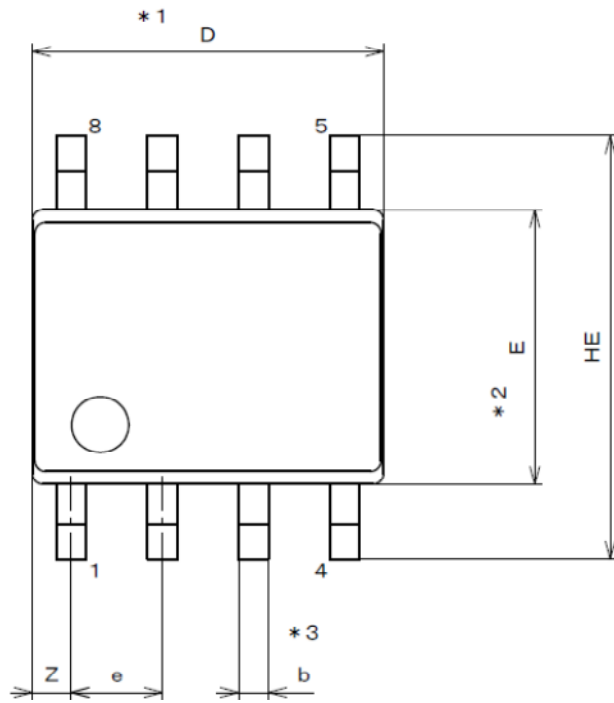


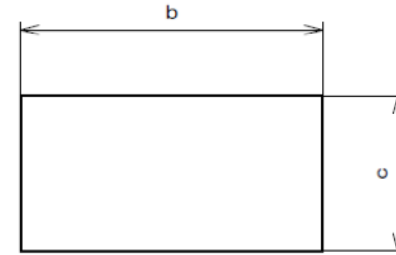
PKG TYPE

SOP8



NOTE)

1. DIMENSIONS * 1 (Nom) AND * 2 DO NOT INCLUDE MOLD FLASH
2. DIMENSION * 3 DO NOT INCLUDE TRIM OFFSET



Terminal cross section
(Ni/Pd/Au plating)

Reference Symbol	Dimension in Millimeters		
	Min	Non	Max
D	—	4.89	—
E	—	3.9	—
A2	1.4	1.5	1.6
A1	0.102	0.178	0.254
A	—	—	1.73
b	0.356	0.42	0.483
c	0.203	0.22	0.254
θ	0°	—	8°
HE	—	6.02	—
e	—	1.27	—
Z	—	0.54	—
L	—	0.648	—
L1	—	1.06	—