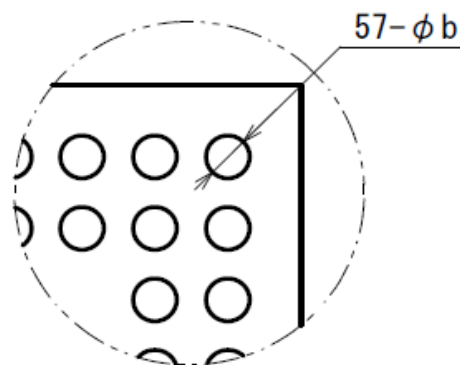
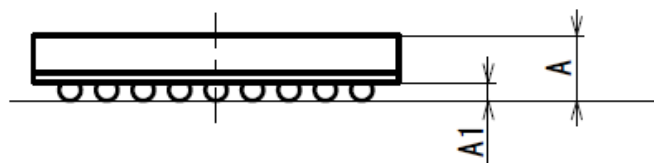
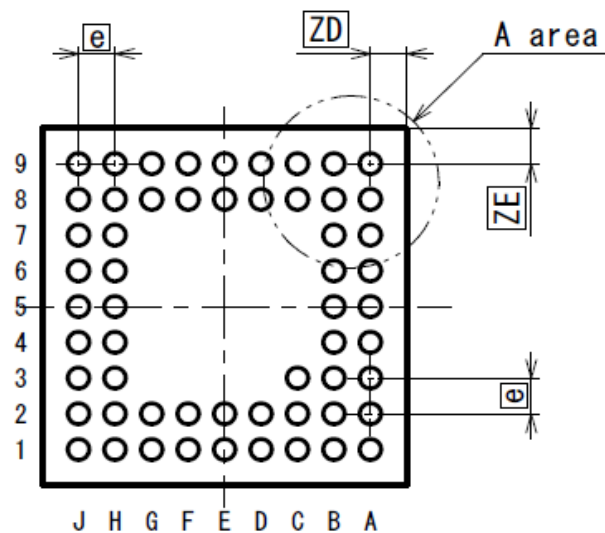
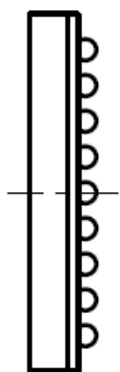
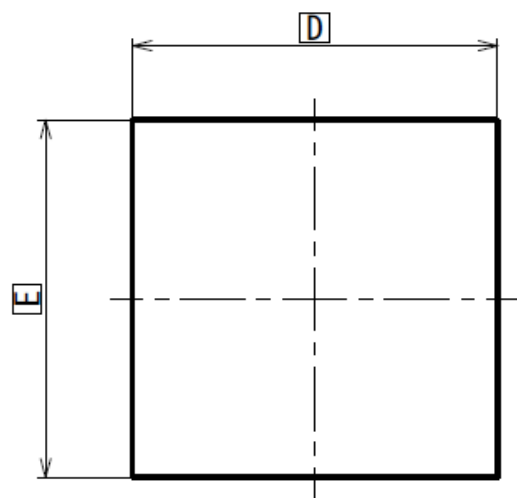


PKG TYPE	PKG CODE
VFBGA0505-57	-



Details of the part A.

Reference Symbol	Dimension in Millimeters		
	Min	Nom	Max
A	-	0.91	1.00
A1	0.20	0.25	0.30
D	-	5.00	-
ZD	-	0.50	-
E	-	5.00	-
ZE	-	0.50	-
b	0.25	0.30	0.35
e	-	0.50	-