

PKG TYPE

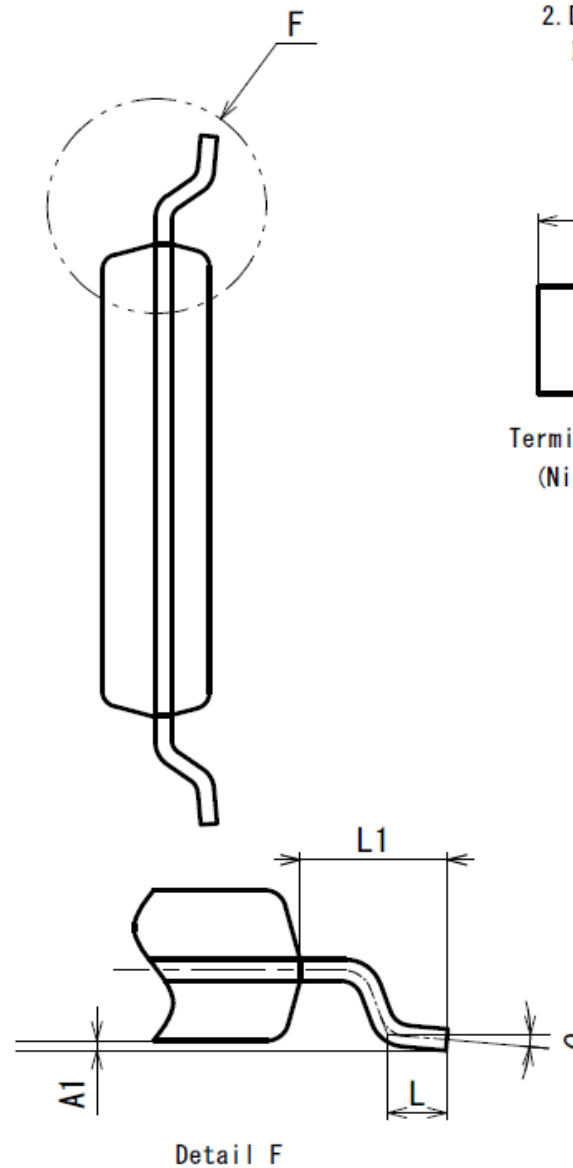
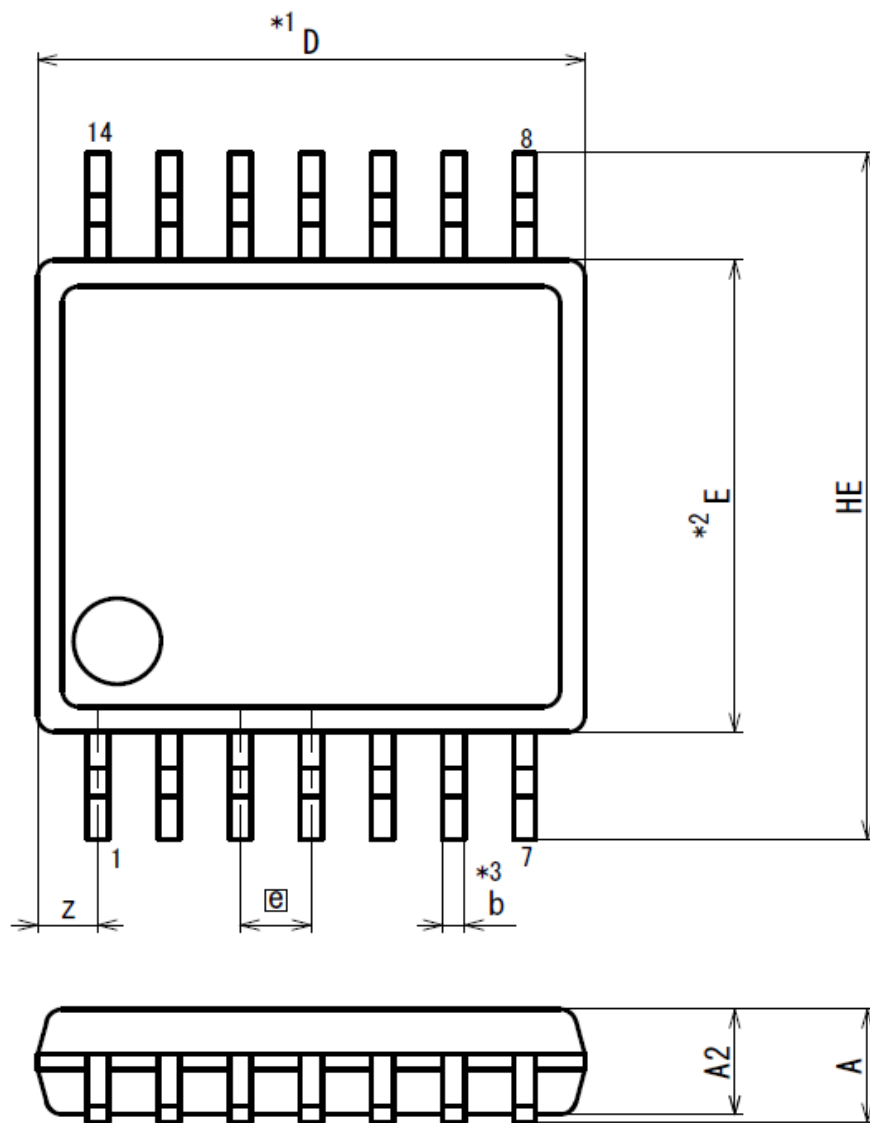
PKG CODE

TSSOP14

TTP-14D

NOTE)

1. DIMENSIONS "*1 (Nom)" AND "*2" DO NOT INCLUDE MOLD FLASH.
2. DIMENSION "*3" DOES NOT INCLUDE TRIM OFFSET.



Reference Symbol	Dimension in Millimeters		
	Min	Nom	Max
D	—	5.00	—
E	—	4.40	—
A2	0.95	—	1.05
A1	0.03	0.07	0.10
A	—	—	1.10
b	0.15	0.20	0.25
c	0.10	0.15	0.20
θ	0°	—	8°
HE	6.20	6.40	6.60
e	—	0.65	—
Z	—	—	0.83
L	0.40	0.50	0.60
L1	—	1.00	—