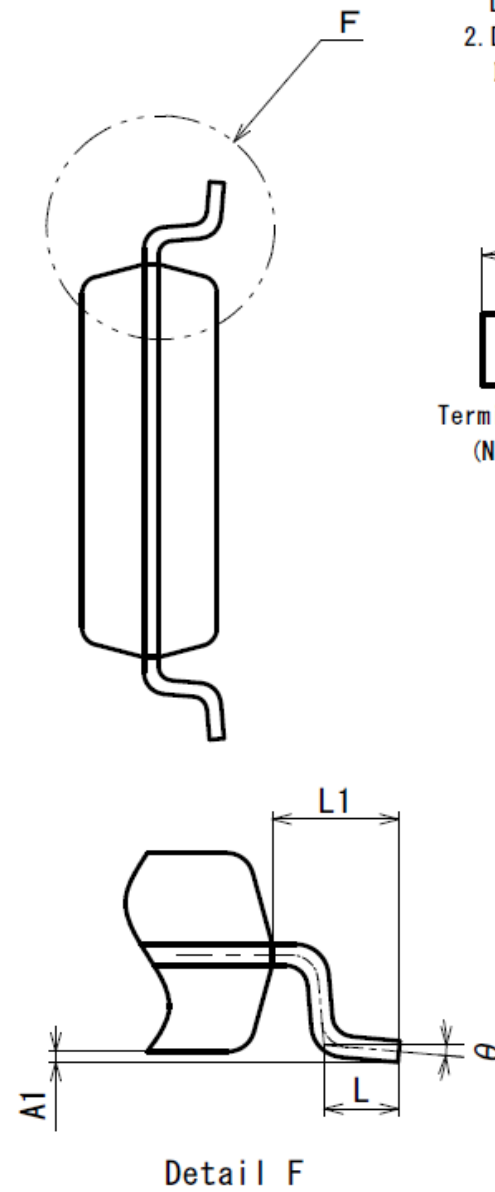
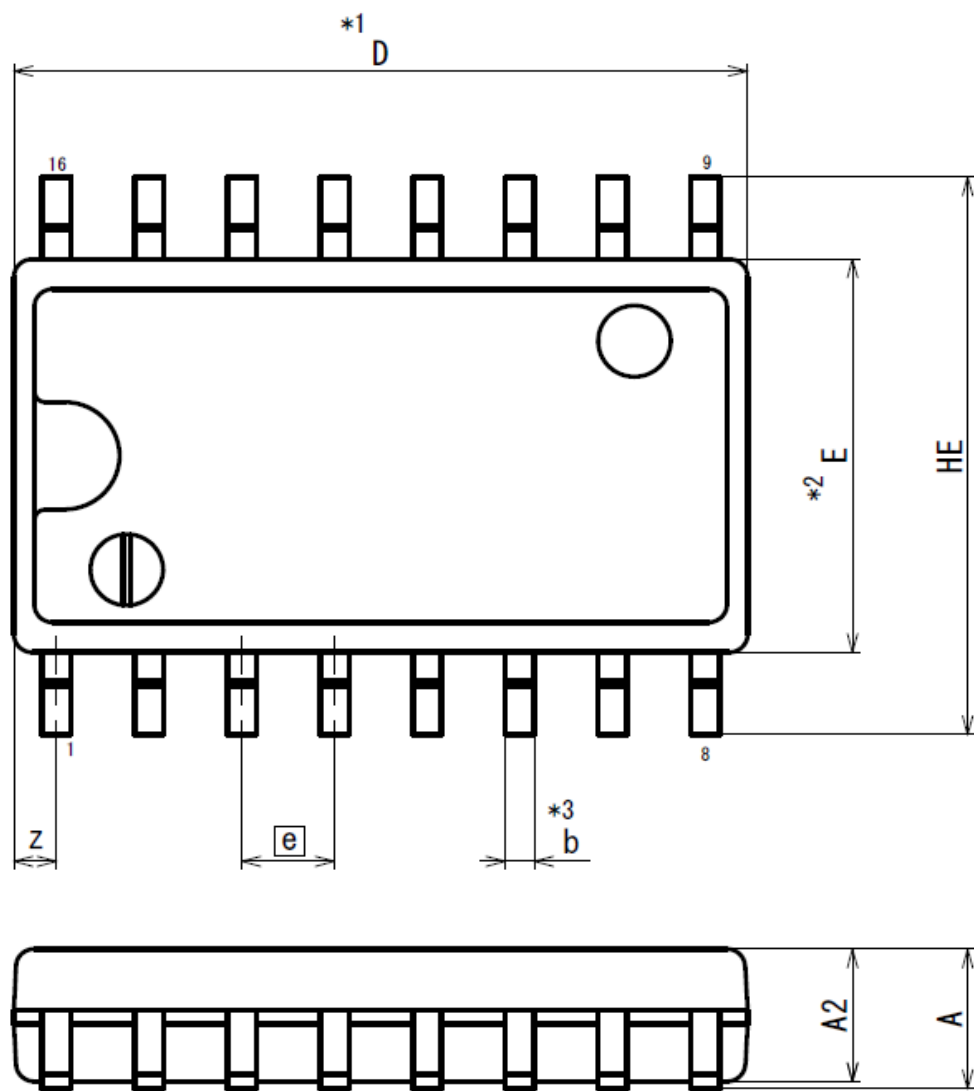
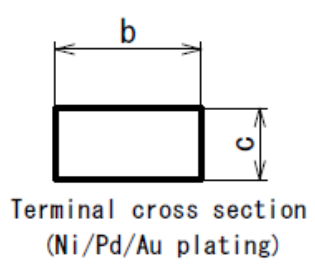


PKG TYPE	PKG CODE
SOP16	FP-16DA



NOTE)
 1. DIMENSIONS *1 (Nom) *AND* *2*
 DO NOT INCLUDE MOLD FLASH.
 2. DIMENSION *3* DOES NOT
 INCLUDE TRIM OFFSET.



Reference Symbol	Dimension in Millimeters		
	Min	Nom	Max
D	—	10.06	—
E	—	5.50	—
A1	0.00	0.10	0.20
A	—	—	2.20
b	0.34	0.40	0.46
c	0.16	0.20	0.24
θ	0°	—	8°
HE	7.50	7.80	8.00
e	—	1.27	—
Z	—	—	0.80
L	0.50	0.70	0.90
L1	—	1.15	—