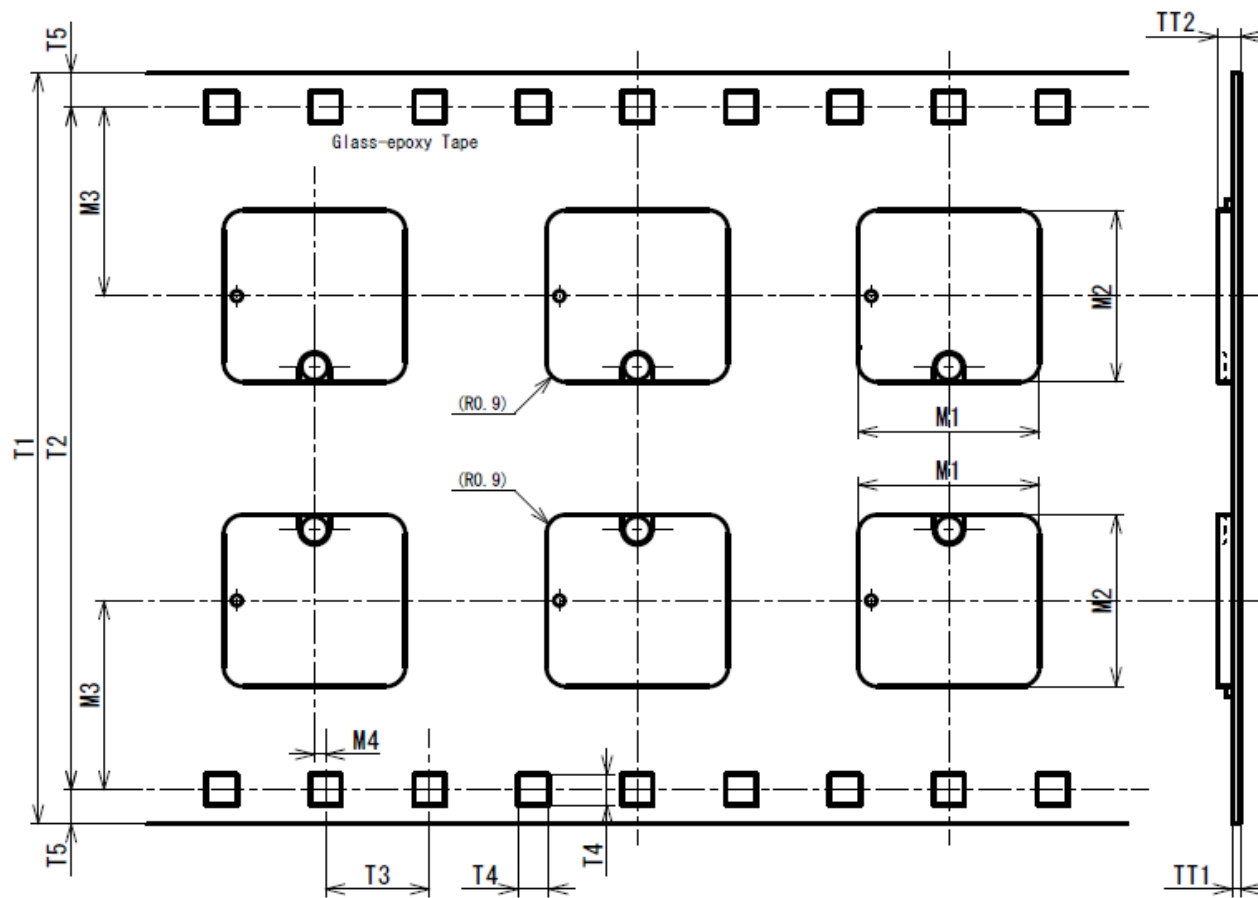


PKG TYPE	PKG CODE
COT (580)	—



Reference Symbol	Dimension in Millimeters			Remarks
	MIN	TYP	MAX	
M1	8.2	8.3	8.4	
M2	7.9	8.0	8.1	
M3	$8.815 - \alpha$	8.815	$8.815 + \alpha$	※1
M4	$0 - \beta$	0	$0 + \beta$	※1
TT1	0.13	0.16	0.2	
TT2	—	—	0.58	
T1	34.85	35.0	35.15	
T2	31.68	31.83	31.98	
T3	4.65	4.75	4.85	
T4	1.32	1.42	1.52	
T5	1.435	1.585	1.735	

※1. $\alpha^2 + \beta^2 \leq 0.04$